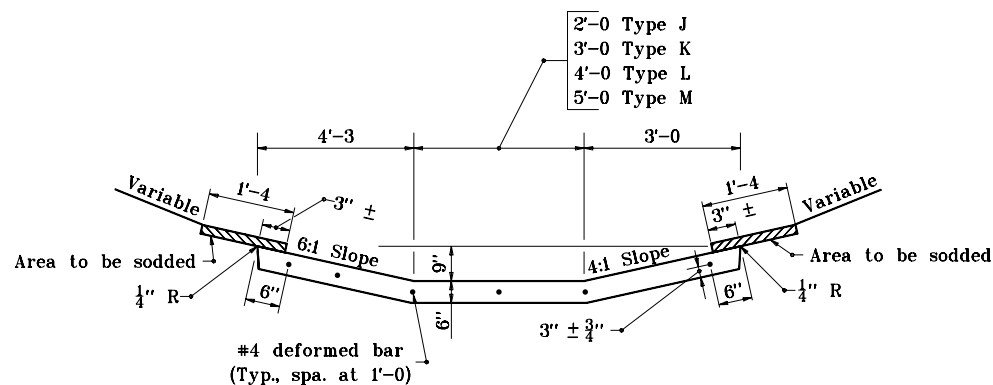


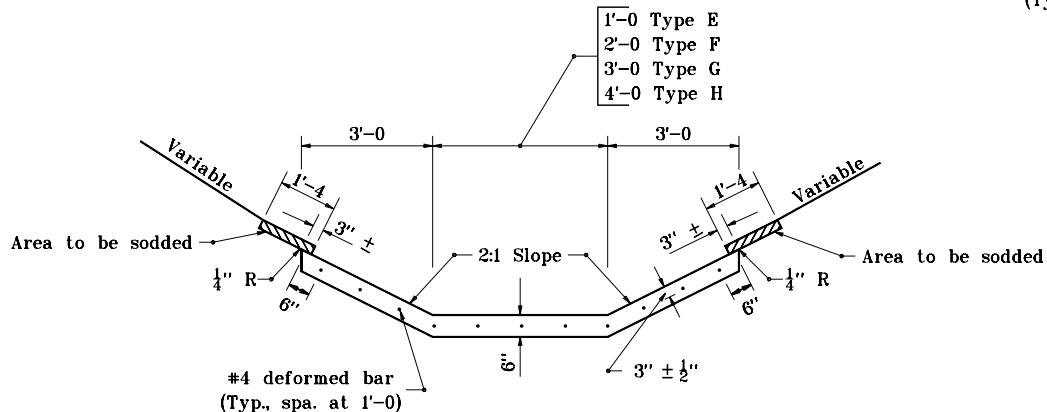
ELEVATION VIEW

PAVED SIDE DITCH TYPES A THROUGH D



ELEVATION VIEW

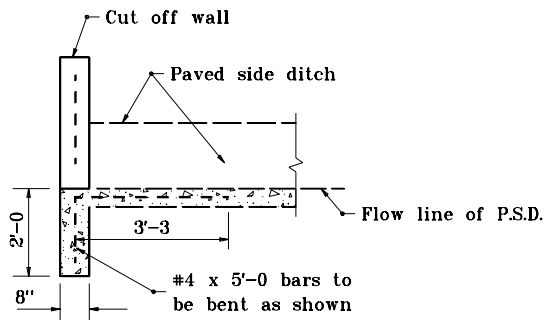
PAVED SIDE DITCH TYPES J THROUGH M



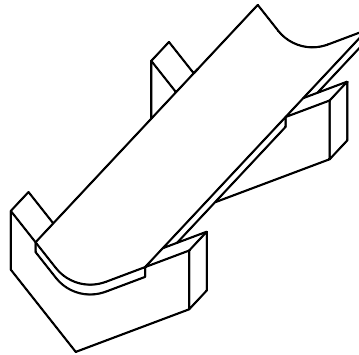
ELEVATION VIEW

PAVED SIDE DITCH TYPES E THROUGH H

INDIANA DEPARTMENT OF TRANSPORTATION	
PAVED SIDE DITCH ELEVATIONS	
SEPTEMBER 2000	
STANDARD DRAWING NO. E 607-PSDT-01	
	/s/ Anthony L. Uremovich 9-01-00 DESIGN STANDARDS ENGINEER DATE
	/s/ Firooz Zandi 9-01-00 CHIEF HIGHWAY ENGINEER DATE
DESIGN STANDARDS ENGINEER	

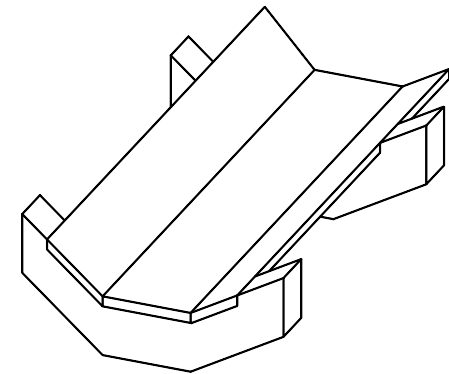


SECTION A-A



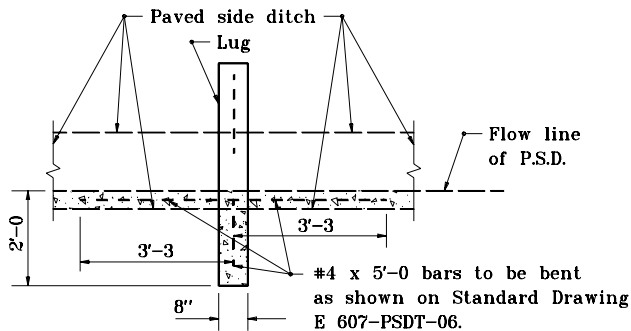
ISOMETRIC VIEW

PAVED SIDE DITCH TYPE A THROUGH D

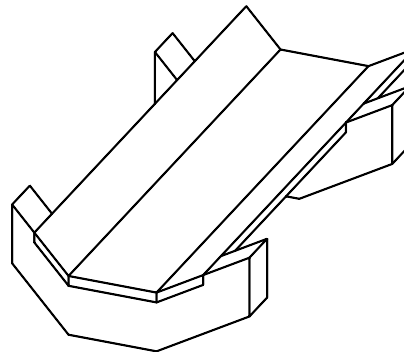


ISOMETRIC VIEW

PAVED SIDE DITCH TYPES J THROUGH M



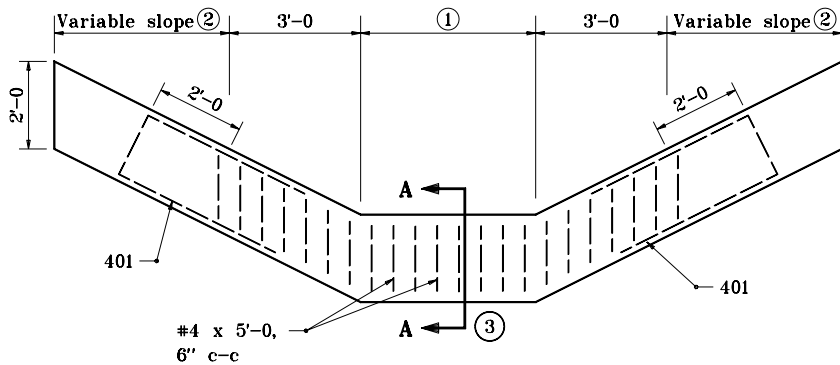
SECTION B-B



ISOMETRIC VIEW

PAVED SIDE DITCH TYPE E THROUGH H

INDIANA DEPARTMENT OF TRANSPORTATION	
PAVED SIDE DITCH SECTIONS AND ISOMETRICS	
SEPTEMBER 1997	
STANDARD DRAWING NO. E 607-PSDT-02	
	DETAILS PLACED IN THIS FORMAT 11-15-99
/s/ Anthony L. Uremovich DESIGN STANDARDS ENGINEER	11-15-99 DATE
/s/ Firooz Zandi CHIEF HIGHWAY ENGINEER	11-15-99 DATE
DESIGN STANDARDS ENGINEER	ORIGINALLY APPROVED 9-01-97

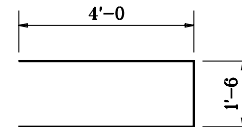


ELEVATION VIEW

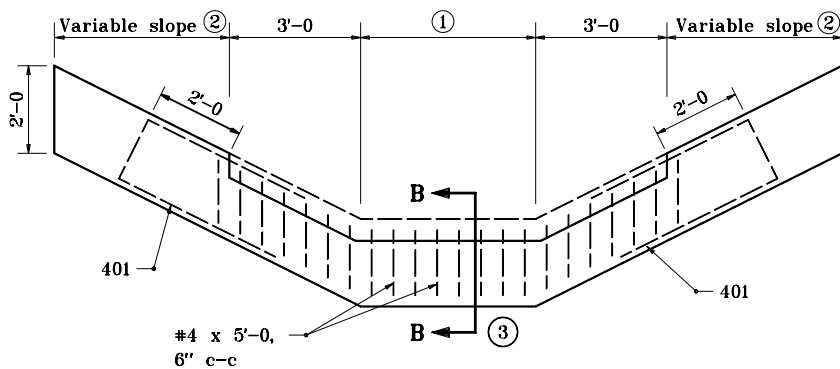
CUT-OFF WALL FOR PAVED SIDE DITCH TYPES E THROUGH H

GENERAL NOTES

- ① 1'-0 For Type E
2'-0 For Type F
3'-0 For Type G
4'-0 For Type H
- ② 3'-0 For Type E & F
4'-0 For Type G & H
- ③ See Standard Drawing E 607-PSDT-02 for Sections A-A and B-B.



401 x 9'-6



ELEVATION VIEW

LUG FOR PAVED SIDE DITCH TYPES E THROUGH H

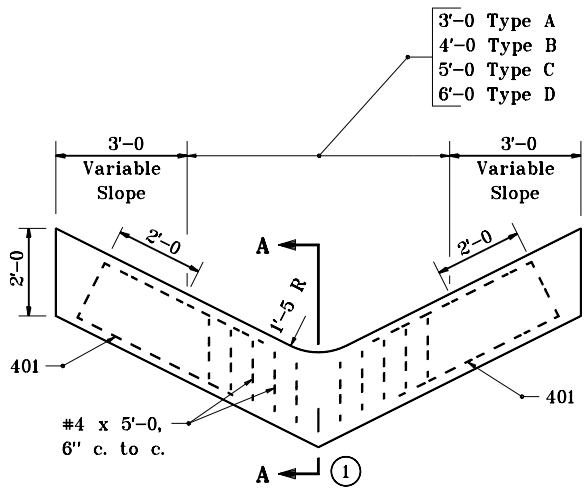
INDIANA DEPARTMENT OF TRANSPORTATION

**PAVED SIDE DITCH
CUT-OFF WALL AND LUG**

SEPTEMBER 1997

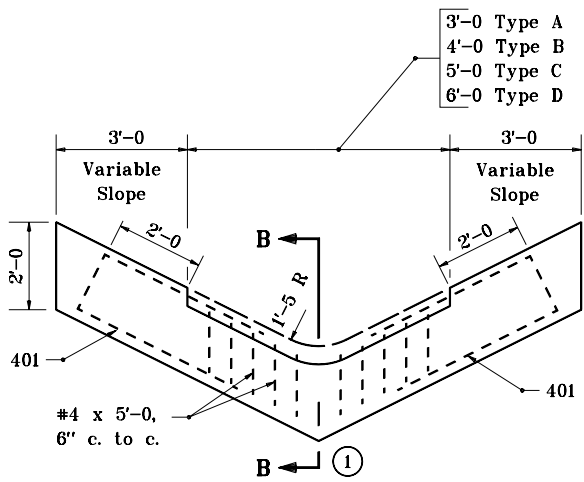
STANDARD DRAWING NO. E 607-PSDT-03

	DETAILS PLACED IN THIS FORMAT	11-15-99
	/s/ Anthony L. Uremovich	11-15-99
	DESIGN STANDARDS ENGINEER	DATE
	/s/ Firooz Zandi	11-15-99
	CHIEF HIGHWAY ENGINEER	DATE
DESIGN STANDARDS ENGINEER	ORIGINALLY APPROVED	9-01-97



ELEVATION VIEW

CUT-OFF WALL FOR PAVED SIDE DITCH TYPES A THROUGH D



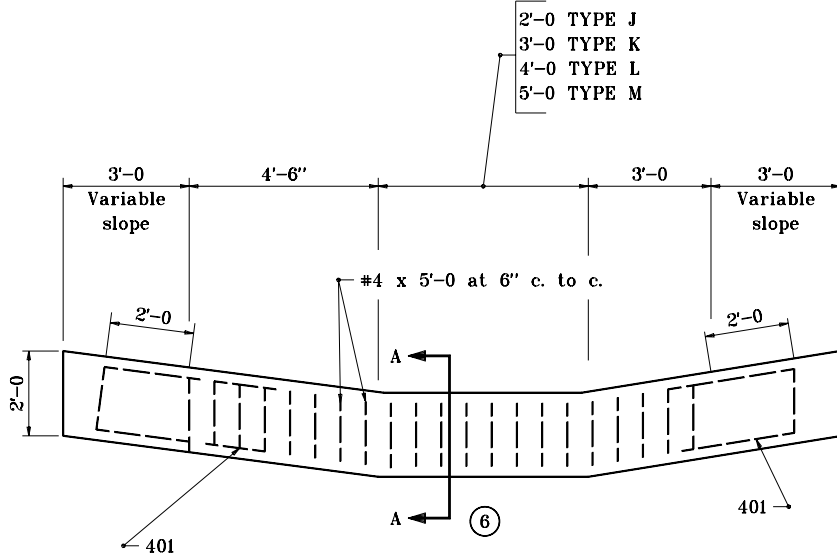
ELEVATION VIEW

LUG FOR PAVED SIDE DITCH TYPES A THROUGH D

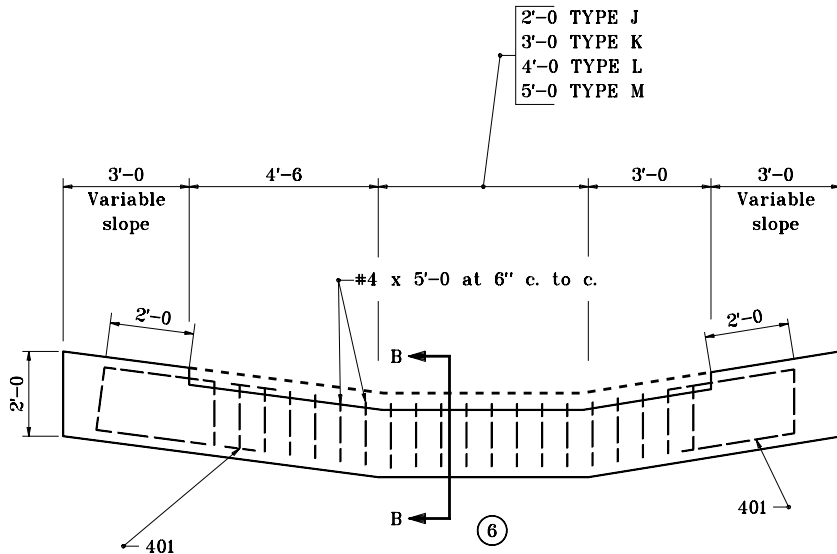
GENERAL NOTES

- ① See Standard Drawing E 607-PSDT-02 for Sections A-A and B-B.
2. See Standard Drawing E 607-PSDT-03 for 401 bending diagram.

INDIANA DEPARTMENT OF TRANSPORTATION	
PAVED SIDE DITCH CUT-OFF WALL AND LUG	
SEPTEMBER 1997	
STANDARD DRAWING NO. E 607-PSDT-04	
DETAILS PLACED IN THIS FORMAT 11-15-99	
	/s/ Anthony L. Uremovich 11-15-99 DESIGN STANDARDS ENGINEER DATE
	/s/ Firooz Zandi 11-15-99 CHIEF HIGHWAY ENGINEER DATE
	ORIGINALLY APPROVED 9-01-97



**ELEVATION VIEW
CUT-OFF WALL FOR PAVED SIDE DITCH TYPES J THROUGH M**



**ELEVATION VIEW
LUG FOR PAVED SIDE DITCH TYPES J THROUGH M**

GENERAL NOTES

1. The 6:1 sloped side shall be placed nearest the roadway.
2. Cutt-off walls shall be used at the beginning and end of all paved side ditch.
3. Lugs shall be used at the following locations:
 - a. 10 ft downslope from a grade change.
 - b. 10 ft downslope from the intersection of different types of paved side ditch.
 - c. At the downslope end of a transition between different types of paved side ditch.
 - d. At the intervals as follows:

Interval	Grade
200 ft	3% to 5%
150 ft	5% to 8%
100 ft	8% to 10%
50 ft	10% & above

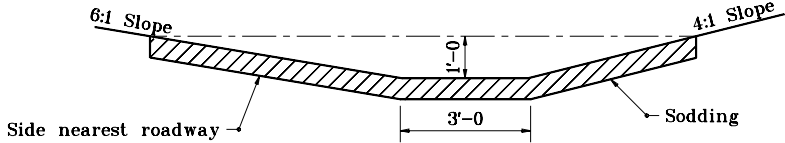
4. Paved side ditch transitions shall be required at intersections with earth ditches and pipe culverts. These transitions shall be converted to equivalent lengths of the type of paved side ditch specified at these locations.
5. Transitions of 10 ft or less shall be required between two different types of paved side ditch. Such transitions shall be converted to equivalent lengths of the larger type of paved side ditch specified at these locations.

- ⑥ See Standard Drawing E 607-PSDT-04 for Sections A-A and B-B.
7. See Standard Drawing E 607-PSDT-03 for 401 bending diagram.

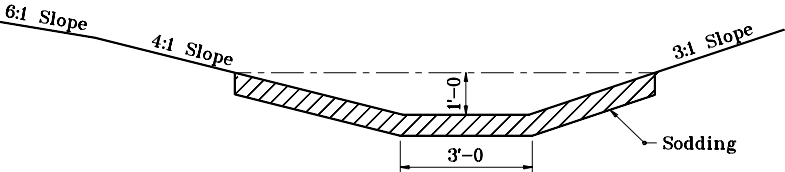
INDIANA DEPARTMENT OF TRANSPORTATION	
P.S.D. CUT-OFF WALL & LUG AND GENERAL NOTES	
JANUARY 2000	
STANDARD DRAWING NO. E 607-PSDT-05	
	/s/ Anthony L. Uremovich 1-03-00 DESIGN STANDARDS ENGINEER DATE
	/s/ Firooz Zandi 1-03-00 CHIEF HIGHWAY ENGINEER DATE

GENERAL NOTES

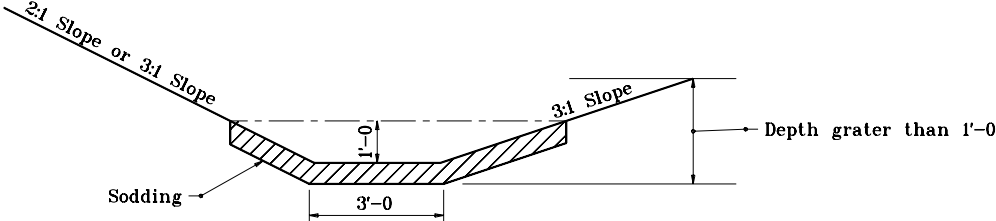
1. See Standard Drawing E 607-PSDT-02 for Section B-B.



STANDARD 3' BOTTOM DITCH
(LOCATED WITHIN CLEAR ZONE)

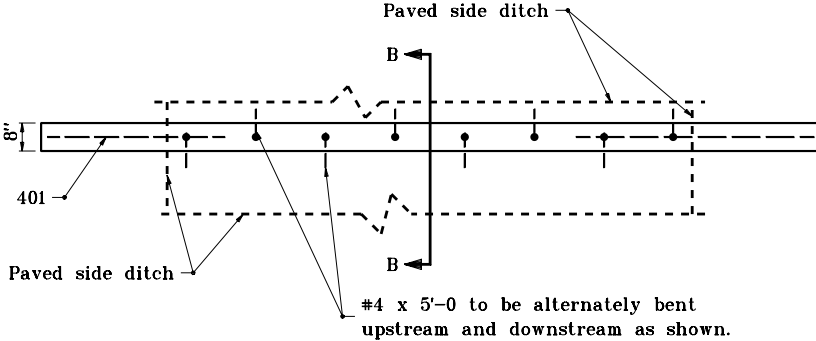


SPECIAL 3' BOTTOM DITCH
(LOCATED BEYOND CLEAR ZONE)



SPECIAL 3' BOTTOM DITCH
(LOCATED BEYOND CLEAR ZONE)

SODDED DITCH DETAILS



PLAN VIEW OF LUG (TYPICAL FOR ALL TYPES)

INDIANA DEPARTMENT OF TRANSPORTATION	
P.S.D. LUGS & SODDED DITCH DETAILS	
SEPTEMBER 1997	
STANDARD DRAWING NO. E 607-PSDT-06	
	DETAILS PLACED IN THIS FORMAT 7-27-99
	/s/ Anthony L. Uremovich 7-27-99 DESIGN STANDARDS ENGINEER DATE
	/s/ Firooz Zandi 7-27-99 CHIEF HIGHWAY ENGINEER DATE
DESIGN STANDARDS ENGINEER	ORIGINALLY APPROVED 9-01-97